

# NCP1587G

## Low Voltage Synchronous Buck Controller

The NCP1587G is a low cost PWM controller designed to operate from a 5 V or 12 V supply. These devices are capable of producing an output voltage as low as 0.8 V. These 8-pin devices provide an optimal level of integration to reduce size and cost of the power supply. The NCP1587G provides a 1 A gate driver design and an internally set 275 kHz oscillator. In addition to the 1 A gate drive capability, other efficiency enhancing features of the gate driver include adaptive non-overlap circuitry. The devices also incorporate an externally compensated error amplifier and a capacitor programmable soft-start function. Protection features include programmable short circuit protection and under voltage lockout (UVLO). The NCP1587G comes in an 8-pin SOIC package.

### Features

- Input Voltage Range from 4.5 to 13.2 V
- 275 kHz Internal Oscillator
- Boost Pin Operates to 30 V
- Voltage Mode PWM Control
- 0.8 V  $\pm$ 1.0 % Internal Reference Voltage
- Adjustable Output Voltage
- Capacitor Programmable Soft-Start
- Internal 1 A Gate Drivers
- 88% Max Duty Cycle
- Input Under Voltage Lockout
- Programmable Current Limit
- These Devices are Pb-Free, Halogen Free/BFR Free and are RoHS Compliant

### Applications

- Graphics Cards
- Desktop Computers
- Servers / Networking
- DSP & FPGA Power Supply
- DC-DC Regulator Modules



ON Semiconductor®

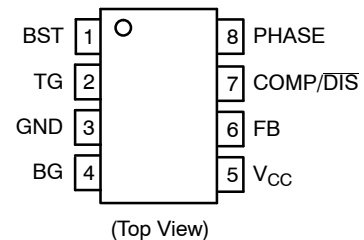
<http://onsemi.com>

### MARKING DIAGRAM



1587G = Specific Device Code  
A = Assembly Location  
L = Wafer Lot  
Y = Year  
W = Work Week  
▪ = Pb-Free Device

### PIN CONNECTIONS



(Top View)

### ORDERING INFORMATION

Device	Package	Shipping†
NCP1587GDR2G	SOIC-8 (Pb-Free)	2500/Tape & Reel

†For information on tape and reel specifications, including part orientation and tape sizes, please refer to our Tape and Reel Packaging Specifications Brochure, BRD8011/D.

# NCP1587G

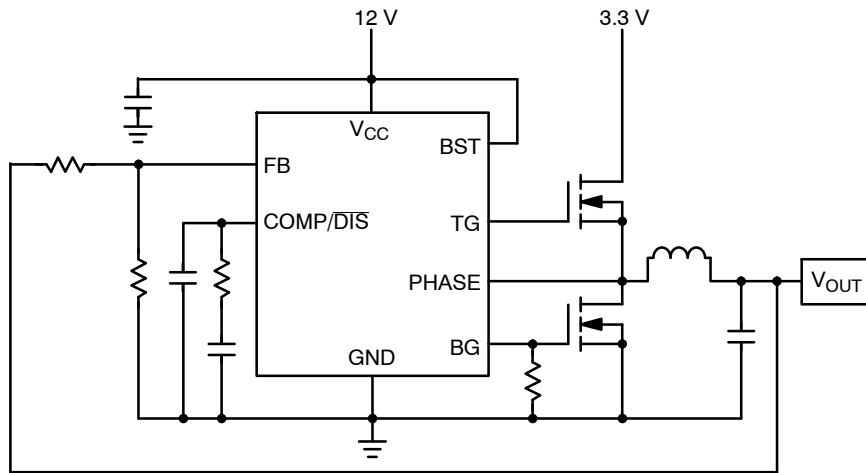


Figure 1. Typical Application Diagram

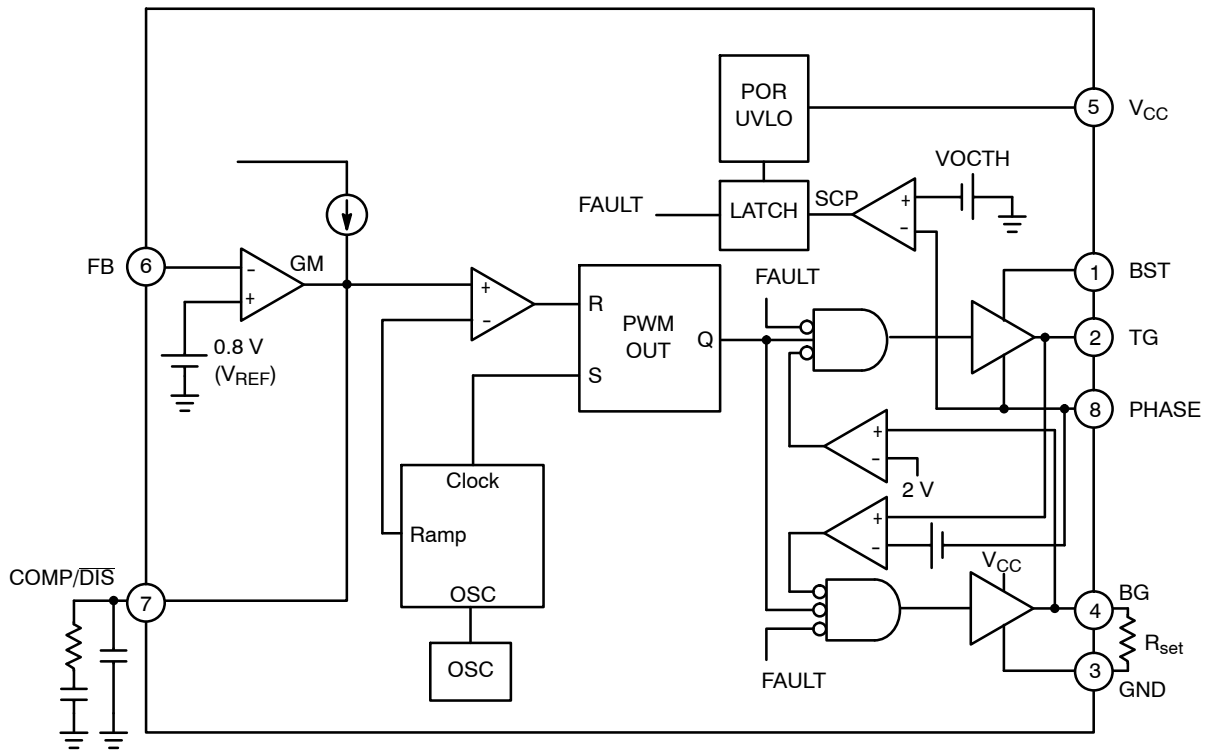


Figure 2. Detailed Block Diagram

# NCP1587G

## PIN FUNCTION DESCRIPTION

Pin No.	Symbol	Description
1	BST	Supply rail for the floating top gate driver. To form a boost circuit, use an external diode to bring the desired input voltage to this pin (cathode connected to BST pin). Connect a capacitor ( $C_{BST}$ ) between this pin and the PHASE pin. Typical values for $C_{BST}$ range from 0.1 $\mu$ F to 1 $\mu$ F. Ensure that $C_{BST}$ is placed near the IC.
2	TG	Top gate MOSFET driver pin. Connect this pin to the gate of the top N-Channel MOSFET.
3	GND	IC ground reference. All control circuits are referenced to this pin.
4	BG	Bottom gate MOSFET driver pin. Connect this pin to the gate of the bottom N-Channel MOSFET.
5	$V_{CC}$	Supply rail for the internal circuitry. Operating supply range is 4.5 V to 13.2 V. Decouple with a 1 $\mu$ F capacitor to GND. Ensure that this decoupling capacitor is placed near the IC.
6	FB	This pin is the inverting input to the error amplifier. Use this pin in conjunction with the COMP pin to compensate the voltage-control feedback loop. Connect this pin to the output resistor divider (if used) or directly to $V_{out}$ .
7	COMP/ $\overline{DIS}$	Compensation Pin. This is the output of the error amplifier (EA) and the non-inverting input of the PWM comparator. Use this pin in conjunction with the FB pin to compensate the voltage-control feedback loop. The compensation capacitor also acts as a soft-start capacitor. Pull this pin low for disable.
8	PHASE	Switch node pin. This is the reference for the floating top gate driver. Connect this pin to the source of the top MOSFET.

## ABSOLUTE MAXIMUM RATINGS

Pin Name	Symbol	$V_{MAX}$	$V_{MIN}$
Main Supply Voltage Input	$V_{CC}$	15 V	-0.3 V
Bootstrap Supply Voltage Input	BST	35 V wrt/PGND 40 V < 50 ns wrt/PGND 15 V wrt/SW	-0.3 V -0.3 V -0.3 V
Switching Node (Bootstrap Supply Return)	PHASE	35 V 40 V < 50 ns	-5.0 V -10 V for < 200 ns
High-Side Driver Output (Top Gate)	TG	30 V wrt/GND 15 V wrt/PHASE	-0.3 V -5 V < 200 ns -4 V < 200 ns wrt/PHASE
Low-Side Driver Output (Bottom Gate)	BG	15 V	-0.3 V -5.0 V for < 200 ns
Feedback	FB	5.5 V	-0.3 V
COMP/ $\overline{DISABLE}$	COMP/ $\overline{DIS}$	5.5 V	-0.3 V

## MAXIMUM RATINGS

Rating	Symbol	Value	Unit
Thermal Resistance, Junction-to-Ambient	$R_{\theta JA}$	165	$^{\circ}$ C/W
Thermal Resistance, Junction-to-Case	$R_{\theta JC}$	45	$^{\circ}$ C/W
Operating Junction Temperature Range	$T_J$	0 to 125	$^{\circ}$ C
Operating Ambient Temperature Range	$T_A$	0 to 70	$^{\circ}$ C
Storage Temperature Range	$T_{stg}$	-55 to +150	$^{\circ}$ C
Lead Temperature Soldering (10 sec): Reflow (SMD styles only) Pb-Free		260	$^{\circ}$ C

Stresses exceeding Maximum Ratings may damage the device. Maximum Ratings are stress ratings only. Functional operation above the Recommended Operating Conditions is not implied. Extended exposure to stresses above the Recommended Operating Conditions may affect device reliability.

# NCP1587G

**ELECTRICAL CHARACTERISTICS** ( $0^{\circ}\text{C} < T_A < 70^{\circ}\text{C}$ ;  $4.5\text{ V} < V_{CC} < 13.2\text{ V}$ ,  $4.5\text{ V} < [\text{BST-PHASE}] < 13.2\text{ V}$ ,  $4.5\text{ V} < \text{BST} < 30\text{ V}$ ,  $0\text{ V} < \text{PHASE} < 21\text{ V}$ ,  $C_{TG} = C_{BG} = 1.0\text{ nF}$ , for min/max values unless otherwise noted.)

Characteristic	Conditions	Min	Typ	Max	Unit
Input Voltage Range	–	4.5	–	13.2	V
Boost Voltage Range	–	4.5	–	26.5	V

### Supply Current

Quiescent Supply Current	$V_{FB} = 1.0\text{ V}$ , No Switching, $V_{CC} = 13.2\text{ V}$	1.0	–	8.0	mA
Boost Quiescent Current	$V_{FB} = 1.0\text{ V}$ , No Switching, $V_{CC} = 13.2\text{ V}$	0.1	–	1.0	mA

### Under Voltage Lockout

UVLO Threshold	$V_{CC}$ Rising Edge	3.8	–	4.2	V
UVLO Hysteresis	–	–	350	–	mV

### Switching Regulator

VFB Feedback Voltage, Control Loop in Regulation	$T_A = 0$ to $70^{\circ}\text{C}$	792	800	808	mV
Oscillator Frequency	$T_A = 0$ to $70^{\circ}\text{C}$	250	275	300	kHz
Ramp–Amplitude Voltage		0.8	1.1	1.4	V
Minimum Duty Cycle		0	–	–	%
Maximum Duty Cycle		80	88	93	%

### Error Amplifier (GM)

Transconductance		3.0	–	4.4	mmho
Open Loop DC Gain		55	70	–	DB
Output Source Current	$V_{FB} < 0.8\text{ V}$	80	120	–	$\mu\text{A}$
Output Sink Current	$V_{FB} > 0.8\text{ V}$	80	120	–	$\mu\text{A}$
Input Bias Current		–	0.1	1.0	$\mu\text{A}$

### Soft–Start

SS Source Current	$V_{FB} < 0.8\text{ V}$	8.49	11	13.3	$\mu\text{A}$
Switch Over Threshold	$V_{FB} = 0.8\text{ V}$	–	100	–	% of $V_{ref}$

### Gate Drivers

Upper Gate Source	$V_{CC} = 12\text{ V}$ , $VTG = VBG = 2.0\text{ V}$	–	1.0	–	A
Upper Gate Sink		–	1.0	–	A
Lower Gate Source		–	1.0	–	A
Lower Gate Sink		–	2.0	–	A
TG Falling to BG Rising Delay	$V_{CC} = 12\text{ V}$ , $TG < 2.0\text{ V}$ , $BG > 2.0\text{ V}$	–	40	90	ns
BG Falling to TG Rising Delay	$V_{CC} = 12\text{ V}$ , $BG < 2.0\text{ V}$ , $TG > 2.0\text{ V}$	–	35	90	ns
Enable Threshold		0.3	0.4	0.5	V

### Over–Current Protection

OCSET Current Source	Sourced from BG pin, before SS	8.9	10	11.1	$\mu\text{A}$
OC Switch–Over Threshold		–	700	–	mV
Fixed OC Threshold		–	–375	–	mV

# NCP1587G

## TYPICAL CHARACTERISTICS ( $T_A = 25^\circ\text{C}$ unless otherwise noted)

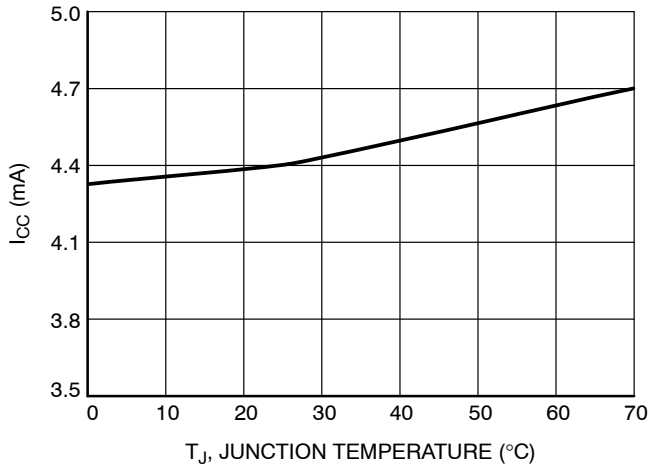


Figure 3.  $I_{CC}$  vs. Temperature

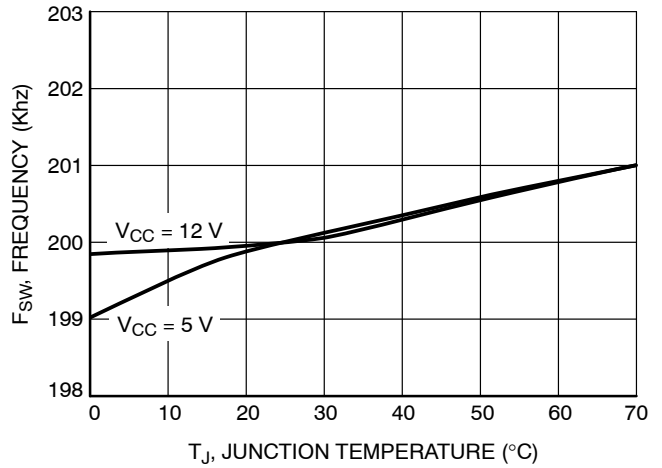


Figure 4. Oscillator Frequency ( $F_{SW}$ ) vs. Temperature

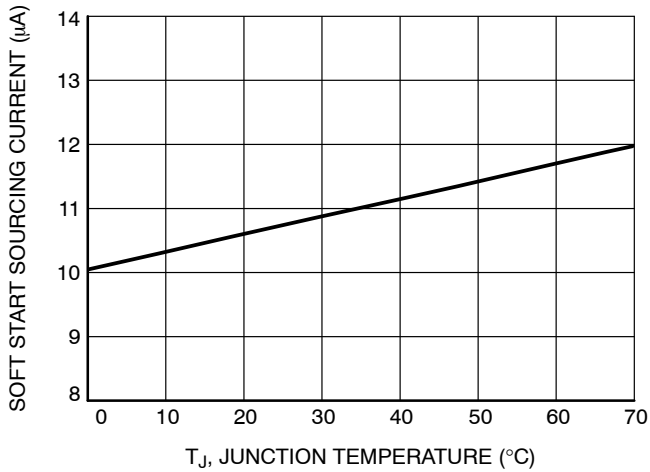


Figure 5. Soft Start Sourcing Current vs. Temperature

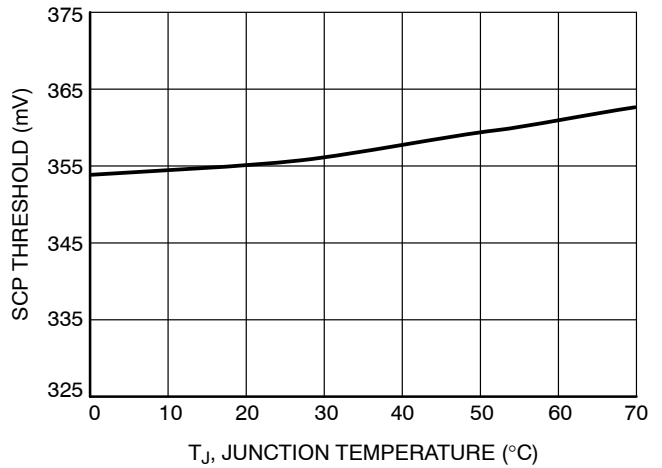


Figure 6. SCP Threshold vs. Temperature

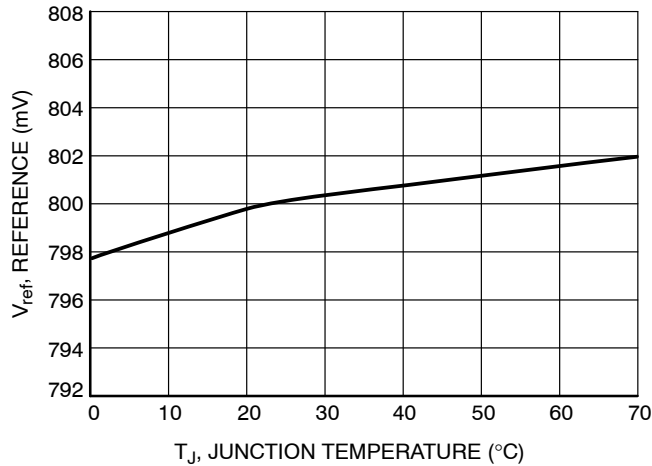


Figure 7. Reference Voltage ( $V_{ref}$ ) vs. Temperature

DETAILED OPERATING DESCRIPTION

**General**

The NCP1587G is a PWM controller intended for DC–DC conversion from 5.0 V & 12 V buses. The devices have a 1 A internal gate driver circuit designed to drive N–channel MOSFETs in a synchronous–rectifier buck topology. The output voltage of the converter can be precisely regulated down to 800 mV  $\pm 1.0\%$  when the  $V_{FB}$  pin is tied to  $V_{OUT}$ . The switching frequency, is internally set to 275 kHz. A high gain operational transconductance error amplifier (OTA) is used.

**Duty Cycle and Maximum Pulse Width Limits**

In steady state DC operation, the duty cycle will stabilize at an operating point defined by the ratio of the input to the output voltage. The devices can achieve an 80% duty cycle. There is a built in off–time which ensures that the bootstrap supply is charged every cycle. This part can allow a 12 V to 0.8 V conversion at 275 kHz.

**Input Voltage Range ( $V_{CC}$  and BST)**

The input voltage range for both  $V_{CC}$  and BST is 4.5 V to 13.2 V with respect to GND and PHASE, respectively. Although BST is rated at 13.2 V with respect to PHASE, it can also tolerate 26.4 V with respect to GND.

**External Enable/Disable**

When the Comp pin voltage falls or is pulled externally below the 400 mV threshold, it disables the PWM Logic and the gate drive outputs. In this disabled mode, the operational transconductance amplifier (EOTA) output source current is reduced and limited to the Soft–Start mode of 10  $\mu A$ .

**Normal Shutdown Behavior**

Normal shutdown occurs when the IC stops switching because the input supply reaches UVLO threshold. In this case, switching stops, the internal SS is discharged, and all GATE pins go low. The switch node enters a high impedance state and the output capacitors discharge through the load with no ringing on the output voltage.

**External Soft–Start**

The NCP1587G features an external soft–start function, which reduces inrush current and overshoot of the output voltage. Soft–start is achieved by using the internal current source of 10  $\mu A$  (typ), which charges the external integrator capacitor of the transconductance amplifier. Figure 8 is a typical soft–start sequence. This sequence begins once  $V_{CC}$  surpasses its UVLO threshold and OCP programming is complete. During soft–start, as the Comp Pin rises through 400 mV, the PWM Logic and gate drives are enabled. When the feedback voltage crosses 800 mV, the EOTA will be given control to switch to its higher regulation mode output current of 120  $\mu A$ .

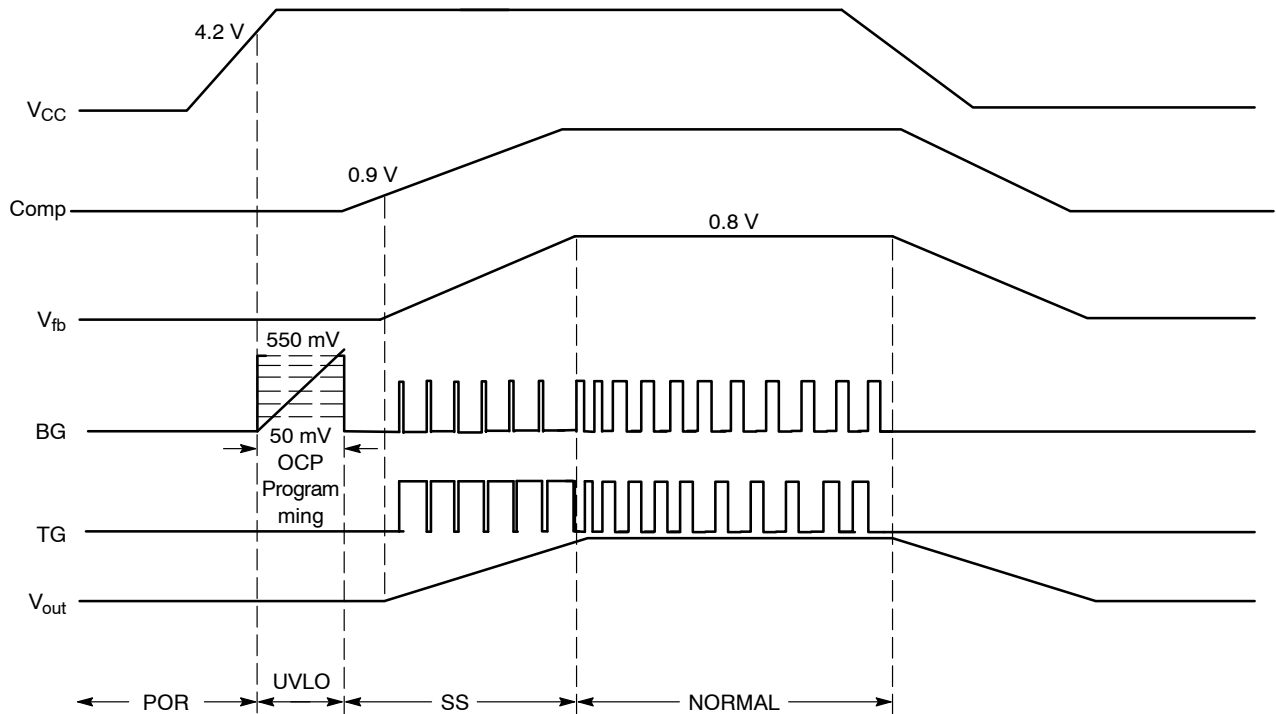


Figure 8. Soft–Start Implementation

**UVLO**

Undervoltage Lockout (UVLO) is provided to ensure that unexpected behavior does not occur when  $V_{CC}$  is too low to support the internal rails and power the converter. For the NCP1587G, the UVLO is set to permit operation when converting from a 5.0 input voltage.

**Overcurrent Threshold Setting**

NCP1587G can easily program an Overcurrent Threshold ranging from 50 mV to 550 mV, simply by adding a resistor (RSET) between BG and GND. During a short period of time following  $V_{CC}$  rising over UVLO threshold, an internal 10  $\mu$ A current ( $I_{OCSET}$ ) is sourced from BG pin, determining a voltage drop across  $R_{OCSET}$ . This voltage drop will be sampled and internally held by the device as Overcurrent Threshold. The OC setting procedure overall time length is about 6 ms. Connecting a  $R_{OCSET}$  resistor between BG and GND, the programmed threshold will be:

$$I_{OCth} = \frac{I_{OCSET} \cdot R_{OCSET}}{R_{DS(on)}} \quad (\text{eq. 1})$$

RSET values range from 5 k $\Omega$  to 55 k $\Omega$ . In case  $R_{OCSET}$  is not connected, the device switches the OCP threshold to a fixed 375 mV value: an internal safety clamp on BG is triggered as soon as BG voltage reaches 700 mV, enabling the 375 mV fixed threshold and ending OC setting phase. The current trip threshold tolerance is  $\pm 25$  mV. The accuracy of the set point is best at the highest set point (550 mV). The accuracy will decrease as the set point decreases.

**Current Limit Protection**

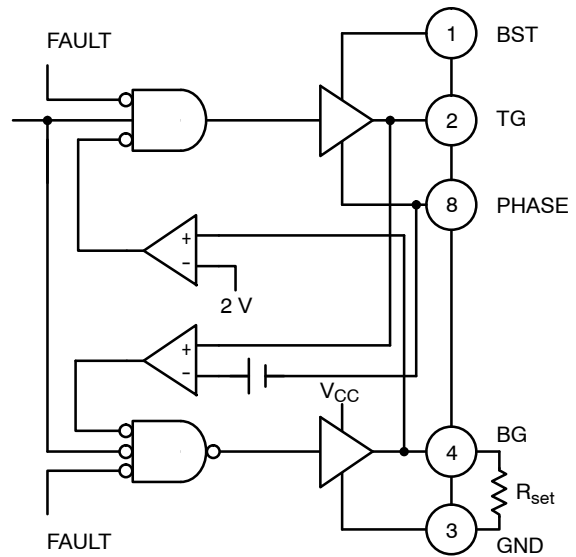
In case of a short circuit or overload, the low-side (LS) FET will conduct large currents. The controller will shut down the regulator in this situation for protection against overcurrent. The low-side  $R_{DS(on)}$  sense is implemented at the end of each of the LS-FET turn-on duration to sense the over current trip point. While the LS driver is on, the Phase voltage is compared to the internally generated OCP trip voltage. If the phase voltage is lower than OCP trip voltage, an overcurrent condition occurs and a counter is initiated. When the counter completes, the PWM logic and both HS-FET and LS-FET are turned off. The controller has to

go through a Power On Reset (POR) cycle to reset the OCP fault.

**Drivers**

The NCP1587G includes gate drivers to switch external N-channel MOSFETs. This allows the devices to address high-power as well as low-power conversion requirements. The gate drivers also include adaptive non-overlap circuitry. The non-overlap circuitry increase efficiency, which minimizes power dissipation, by minimizing the body diode conduction time.

A detailed block diagram of the non-overlap and gate drive circuitry used in the chip is shown in Figure 9.



**Figure 9. Block Diagram**

Careful selection and layout of external components is required, to realize the full benefit of the onboard drivers. The capacitors between  $V_{CC}$  and GND and between BST and SWN must be placed as close as possible to the IC. The current paths for the TG and BG connections must be optimized. A ground plane should be placed on the closest layer for return currents to GND in order to reduce loop area and inductance in the gate drive circuit.

APPLICATION SECTION

**Input Capacitor Selection**

The input capacitor has to sustain the ripple current produced during the on time of the upper MOSFET, so it must have a low ESR to minimize the losses. The RMS value of this ripple is:

$$I_{inRMS} = I_{OUT} \sqrt{D \times (1 - D)},$$

where D is the duty cycle,  $I_{inRMS}$  is the input RMS current, &  $I_{OUT}$  is the load current. The equation reaches its maximum value with  $D = 0.5$ . Loss in the input capacitors can be calculated with the following equation:

$$P_{CIN} = ESR_{CIN} \times I_{inRMS}^2,$$

where  $P_{CIN}$  is the power loss in the input capacitors &  $ESR_{CIN}$  is the effective series resistance of the input capacitance. Due to large  $dI/dt$  through the input capacitors, electrolytic or ceramics should be used. If a tantalum must be used, it must be surge protected. Otherwise, capacitor failure could occur.

**Calculating Input Start-up Current**

To calculate the input start up current, the following equation can be used.

$$I_{inrush} = \frac{C_{OUT} \times V_{OUT}}{t_{SS}},$$

where  $I_{inrush}$  is the input current during start-up,  $C_{OUT}$  is the total output capacitance,  $V_{OUT}$  is the desired output voltage, and  $t_{SS}$  is the soft start interval.

If the inrush current is higher than the steady state input current during max load, then the input fuse should be rated accordingly, if one is used.

**Calculating Soft Start Time**

To calculate the soft start time, the following equation can be used.

$$t_{SS} = \frac{(C_p + C_c) * \Delta V}{I_{SS}}$$

Where  $C_c$  is the compensation as well as the soft start capacitor,

$C_p$  is the additional capacitor that forms the second pole.

$I_{SS}$  is the soft start current

$\Delta V$  is the comp voltage from 0.9 V to until it reaches regulation:  $((d * \text{ramp}) + 0.9)$

**Output Capacitor Selection**

The output capacitor is a basic component for the fast response of the power supply. In fact, during load transient, for the first few microseconds it supplies the current to the load. The controller immediately recognizes the load transient and sets the duty cycle to maximum, but the current slope is limited by the inductor value.

During a load step transient the output voltage initial drops due to the current variation inside the capacitor and the

ESR. ((neglecting the effect of the effective series inductance (ESL)):

$$\Delta V_{OUT-ESR} = \Delta I_{OUT} \times ESR_{COUT}$$

where  $V_{OUT-ESR}$  is the voltage deviation of  $V_{OUT}$  due to the effects of ESR and the  $ESR_{COUT}$  is the total effective series resistance of the output capacitors.

A minimum capacitor value is required to sustain the current during the load transient without discharging it. The voltage drop due to output capacitor discharge is given by the following equation:

$$\Delta V_{OUT-DISCHARGE} = \frac{\Delta I_{OUT}^2 \times L_{OUT}}{2 \times C_{OUT} \times (V_{IN} \times D - V_{OUT})},$$

where  $V_{OUT-DISCHARGE}$  is the voltage deviation of  $V_{OUT}$  due to the effects of discharge,  $L_{OUT}$  is the output inductor value &  $V_{IN}$  is the input voltage.

It should be noted that  $\Delta V_{OUT-DISCHARGE}$  and  $\Delta V_{OUT-ESR}$  are out of phase with each other, and the larger of these two voltages will determine the maximum deviation of the output voltage (neglecting the effect of the ESL).

**Inductor Selection**

Both mechanical and electrical considerations influence the selection of an output inductor. From a mechanical perspective, smaller inductor values generally correspond to smaller physical size. Since the inductor is often one of the largest components in the regulation system, a minimum inductor value is particularly important in space-constrained applications. From an electrical perspective, the maximum current slew rate through the output inductor for a buck regulator is given by:

$$\text{SlewRate}_{L_{OUT}} = \frac{V_{IN} - V_{OUT}}{L_{OUT}}$$

This equation implies that larger inductor values limit the regulator's ability to slew current through the output inductor in response to output load transients. Consequently, output capacitors must supply the load current until the inductor current reaches the output load current level. This results in larger values of output capacitance to maintain tight output voltage regulation. In contrast, smaller values of inductance increase the regulator's maximum achievable slew rate and decrease the necessary capacitance, at the expense of higher ripple current. The peak-to-peak ripple current for NCP1587G is given by the following equation:

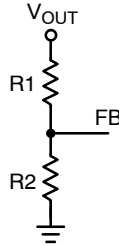
$$I_{pk} - I_{pkL_{OUT}} = \frac{V_{OUT}(1 - D)}{L_{OUT} \times 275 \text{ kHz}},$$

where  $I_{pk} - I_{pkL_{OUT}}$  is the peak to peak current of the output. From this equation it is clear that the ripple current increases as  $L_{OUT}$  decreases, emphasizing the trade-off between dynamic response and ripple current.



**Feedback and Compensation**

The NCP1587G allows the output of the DC-DC converter to be adjusted from 0.8 V to 5.0 V via an external resistor divider network. The controller will try to maintain 0.8 V at the feedback pin. Thus, if a resistor divider circuit was placed across the feedback pin to  $V_{OUT}$ , the controller will regulate the output voltage proportional to the resistor divider network in order to maintain 0.8 V at the FB pin.



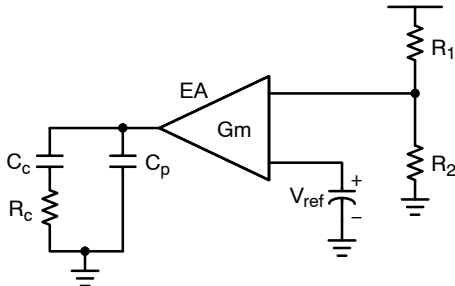
The relationship between the resistor divider network above and the output voltage is shown in the following equation:

$$R_2 = R_1 \times \left( \frac{V_{REF}}{V_{OUT} - V_{REF}} \right)$$

Resistor R1 is selected based on a design tradeoff between efficiency and output voltage accuracy. For high values of R1 there is less current consumption in the feedback network, However the trade off is output voltage accuracy due to the bias current in the error amplifier. The output voltage error of this bias current can be estimated using the following equation (neglecting resistor tolerance):

$$\text{Error}\% = \frac{0.1 \mu\text{A} \times R_1}{V_{REF}} \times 100\%$$

Once R1 has been determined, R2 can be calculated.



**Figure 10. Type II Transconductance Error Amplifier**

Figure 10 shows a typical Type II transconductance error amplifier (EOTA). The compensation network consists of the internal error amplifier and the impedance networks  $Z_{IN}$  ( $R_1$ ,  $R_2$ ) and external  $Z_{FB}$  ( $R_c$ ,  $C_c$  and  $C_p$ ). The compensation network has to provide a closed loop transfer function with the highest 0 dB crossing frequency to have fast response (but always lower than  $f_{SW}/8$ ) and the highest gain in DC conditions to minimize the load regulation. A stable control loop has a gain crossing with -20 dB/decade slope and a phase margin greater than 45°. Include worst-case component variations when determining phase margin. Loop stability is defined by the compensation

network around the EOTA, the output capacitor, output inductor and the output divider. Figure 11 shows the open loop and closed loop gain plots.

**Compensation Network Frequency:**

The inductor and capacitor form a double pole at the frequency

$$F_{LC} = \frac{1}{2\pi \times \sqrt{L_o \times C_o}}$$

The ESR of the output capacitor creates a “zero” at the frequency,

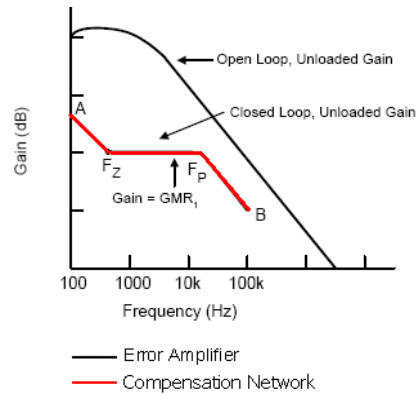
$$F_{ESR} = \frac{1}{2\pi \times \text{ESR} \times C_o}$$

The zero of the compensation network is formed as,

$$F_Z = \frac{1}{2\pi \times R_c C_c}$$

The pole of the compensation network is calculated as,

$$F_P = \frac{1}{2\pi \times R_c \times C_p}$$



**Figure 11. Gain Plot of the Error Amplifier**

**Thermal Considerations**

The power dissipation of the NCP1587G varies with the MOSFETs used,  $V_{CC}$ , and the boost voltage ( $V_{BST}$ ). The average MOSFET gate current typically dominates the control IC power dissipation. The IC power dissipation is determined by the formula:

$$P_{IC} = (I_{CC} \times V_{CC}) + P_{TG} + P_{BG}$$

Where:

- $P_{IC}$  = control IC power dissipation,
- $I_{CC}$  = IC measured supply current,
- $V_{CC}$  = IC supply voltage,
- $P_{TG}$  = top gate driver losses,
- $P_{BG}$  = bottom gate driver losses.

The upper (switching) MOSFET gate driver losses are:

$$P_{TG} = Q_{TG} \times f_{SW} \times V_{BST}$$

Where:

- $Q_{TG}$  = total upper MOSFET gate charge at  $V_{BST}$ ,
- $f_{SW}$  = the switching frequency,
- $V_{BST}$  = the BST pin voltage.

The lower (synchronous) MOSFET gate driver losses are:

$$P_{BG} = Q_{BG} \times f_{SW} \times V_{CC}$$

Where:

$Q_{BG}$  = total lower MOSFET gate charge at  $V_{CC}$ .

The junction temperature of the control IC can then be calculated as:

$$T_J = T_A + P_{IC} \times \theta_{JA}$$

Where:

$T_J$  = the junction temperature of the IC,

$T_A$  = the ambient temperature,

$\theta_{JA}$  = the junction-to-ambient thermal resistance of the IC package.

The package thermal resistance can be obtained from the specifications section of this data sheet and a calculation can be made to determine the IC junction temperature. However, it should be noted that the physical layout of the board, the proximity of other heat sources such as MOSFETs and inductors, and the amount of metal connected to the IC, impact the temperature of the device. Use these calculations as a guide, but measurements should be taken in the actual application.

### Layout Considerations

As in any high frequency switching converter, layout is very important. Switching current from one power device to another can generate voltage transients across the impedances of the interconnecting bond wires and circuit traces. These interconnecting impedances should be minimized by using wide, short printed circuit traces. The critical components should be located as close together as possible using ground plane construction or single point grounding. The figure below shows the critical power components of the converter. To minimize the voltage overshoot the interconnecting wires indicated by heavy lines should be part of ground or power plane in a printed circuit board. The components shown in the figure below should be located as close together as possible. Please note that the capacitors  $C_{IN}$  and  $C_{OUT}$  each represent numerous physical capacitors. It is desirable to locate the NCP1587G within 1 inch of the MOSFETs, Q1 and Q2. The circuit traces for the MOSFETs' gate and source connections from the NCP1587G must be sized to handle up to 2 A peak current.

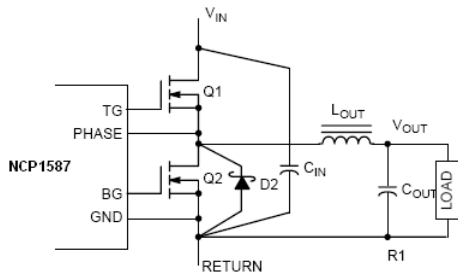


Figure 12. Components to be Considered for Layout Specifications

### DESIGN EXAMPLE I: Type II Compensation (Electrolytic Cap. with large ESR)

Switching Frequency	$F_{SW} = 275 \text{ KHz}$
Output Capacitance	$R_{ESR} = 45 \text{ m}\Omega/\text{Each}$
Output Capacitance	$C_{out} = 2 \times 1800 \mu\text{F}$
Output Inductance	$L_{out} = 1 \mu\text{H}$
Input Voltage	$V_{in} = 12 \text{ V}$
Output Voltage	$V_{out} = 1.6 \text{ V}$

Choose the loop gain crossover frequency:

$$F_{co} = \frac{1}{5} \times F_{sw} = 55 \text{ KHz}$$

The corner frequency of the output filter is calculated below:

$$F_{LC} = \frac{1}{2 \times \pi \times \sqrt{1 \mu\text{H} \times 3600 \mu\text{F}}} = 2.65 \text{ KHz}$$

Check that the ESR zero frequency is not too high:

$$F_{ESR} = \frac{1}{2 \times \pi \times R_{ESR} \times C_O} < \frac{F_{co}}{10}$$

$$F_{ESR} = \frac{1}{2 \times \pi \times \frac{45 \text{ m}\Omega}{2} \times (1800 \mu\text{F} \times 2)} = 2 \text{ KHz}$$

If ESR zero is larger than  $F_{co}/10$ , Type III compensation is necessary.

Choose  $C_C$  for the crossover frequency and the soft start

$$C_C = 100 \text{ nF}$$

The compensation capacitor ( $C_C$ ) is related to the loop gain magnitude, zero position and the soft start. By adjusting the value of this compensation capacitor, the crossover frequency and the soft start time can be adjusted.

Zero of the compensation network is calculated as follows:

$$F_Z = F_{LC} = 2.65 \text{ KHz}$$

$$R_C = \frac{1}{2 \times \pi \times F_Z \times C_C} = \frac{1}{2 \times \pi \times 2.65 \text{ kHz} \times 100 \text{ nF}} = 600.6 \Omega$$

Pole of the compensation network is calculated as follows:

$$F_p = F_{sw} = 275 \text{ KHz}$$

$$C_p = \frac{1}{2 \times \pi \times F_p \times R_C} = \frac{1}{2 \times \pi \times 275 \text{ kHz} \times 600.6} = 963.6 \text{ pF}$$

The recommended compensation values are;  $R_C = 604$ ,  $C_C = 100 \text{ nF}$ ,  $C_p = 1000 \text{ pF}$

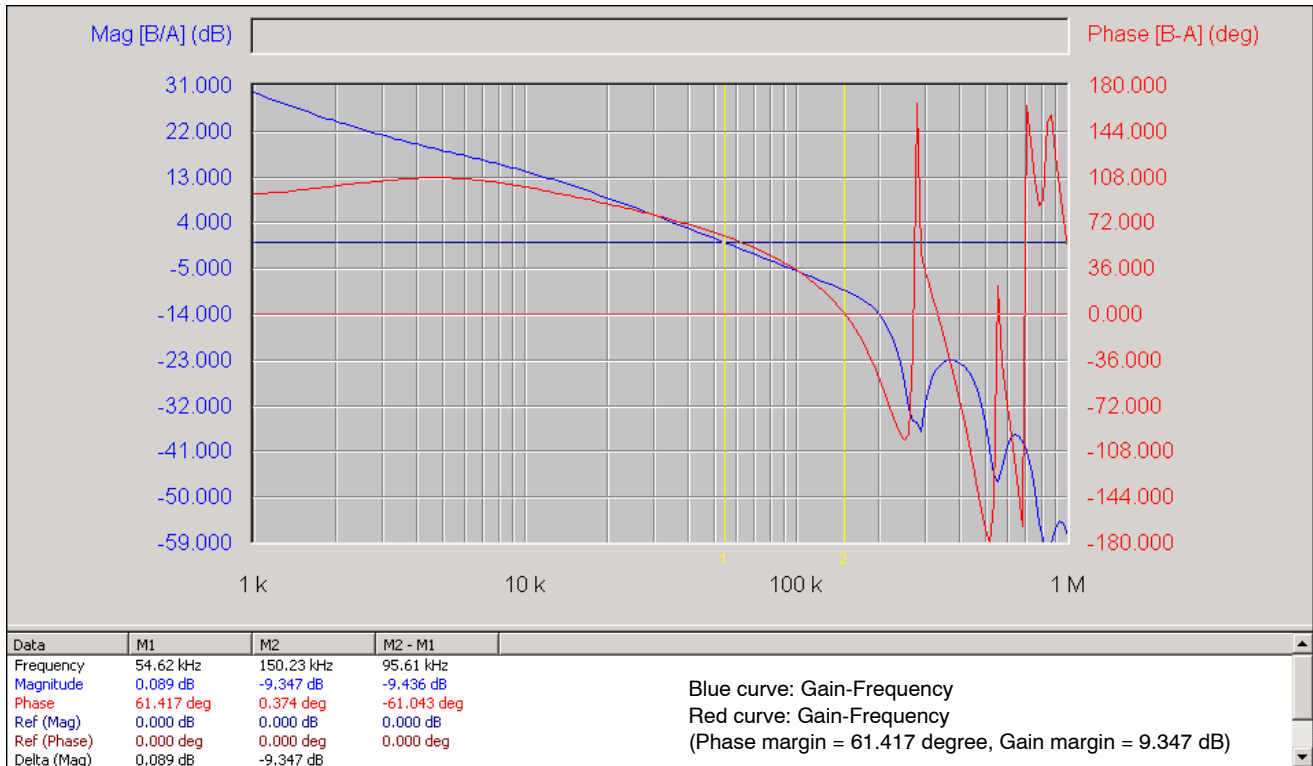


Figure 13. Closed-loop Voltage Loop-gain of the NCP1587G

**DESIGN EXAMPLE II: Type III Compensation (Oscop Cap. with small ESR; Do not place  $R_C$ ,  $C_C$ ,  $C_P$ )**

Switching Frequency  $F_{sw} = 275$  KHz  
 Output Capacitance  $R_{ESR} = 7$  m $\Omega$ /Each  
 Output Capacitance  $C_{out} = 2 \times 560$   $\mu$ F  
 Output Inductance  $L_{out} = 1$   $\mu$ H  
 Input Voltage  $V_{in} = 12$  V  
 Output Voltage  $V_{out} = 1.6$  V

Choose the loop gain crossover frequency:

$$F_{co} = \frac{1}{5} \times F_{sw} = 55$$
 KHz

The corner frequency of the output filter is calculated below:

$$F_{LC} = \frac{1}{2 \times \pi \times \sqrt{1 \mu\text{H} \times 1120 \mu\text{F}}} = 4.7$$
 KHz

Check the ESR zero frequency:

$$F_{ESR} = \frac{1}{2 \times \pi \times R_{ESR} \times C_O}$$

$$F_{ESR} = \frac{1}{2 \times \pi \times 7 \text{ m}\Omega \times 560 \mu\text{F}} = 40.6$$
 KHz

Choose  $C_{C1}$  for the soft start

$$C_{C1} = 33$$
 nF

The compensation capacitor ( $C_{C1}$ ) is related to the loop gain magnitude, one zero position and the soft start. By adjusting the value of this compensation capacitor, the crossover frequency and the soft start time can be adjusted.

Zeros of the compensation network are calculated as follows:

**1st zero:**

$$F_{Z1} = \frac{F_{LC}}{10} = 470$$
 Hz

$$R_{C1} = \frac{1}{2 \times \pi \times F_{Z1} \times C_{C1}} = \frac{1}{2 \times \pi \times 470 \text{ Hz} \times 30 \text{ nF}} = 11.3$$
 k $\Omega$

$R_{C1}$  should be much larger than  $2/g_m$  in order to get the stable system with transconductance amplifier.  $\rightarrow$  choose  $R_{C1} = 12.1$  k $\Omega$

**2nd zero:**

Choose  $R_3$  for the crossover frequency.  $R_3$  should be much larger than  $2/g_m$  for the stable system.

$$R_3 = 10$$
 k $\Omega$

$$F_{Z2} = F_{LC} = 4.7$$
 KHz

$$C_{20} = \frac{1}{2 \times \pi \times F_{Z2} \times R_3} = \frac{1}{2 \times \pi \times 4.7 \text{ KHz} \times 10 \text{ k}\Omega} = 3.4$$
 nF

Choose  $C_{20} = 3.3$  nF

Poles of the compensation network are calculated as follows:

**1st pole:**

Choose  $R_4$  to cancel the output capacitor ESR zero.

$$F_{P1} = F_{ESR} = 40.6$$
 KHz

$$R_4 = \frac{1}{2 \times \pi \times F_{P1} \times C_{20}} = \frac{1}{2 \times \pi \times 40.6 \text{ kHz} \times 3.3 \text{ n}} = 1.2$$
 k $\Omega$

## NCP1587G

After choose R4 value, adjust R4 to get enough phase margin → R4 = 665 Ω

### 2nd pole:

Choose C<sub>P1</sub> to eliminate the noise;

$$F_{P2} = F_{sw} = 275 \text{ KHz}$$

$$C_{P1} = \frac{1}{2 \times \pi \times F_{P2} \times R_{C1}}$$

$$= \frac{1}{2 \times \pi \times 275 \text{ kHz} \times 12 \text{ k}\Omega} = 48.23 \text{ pF}$$

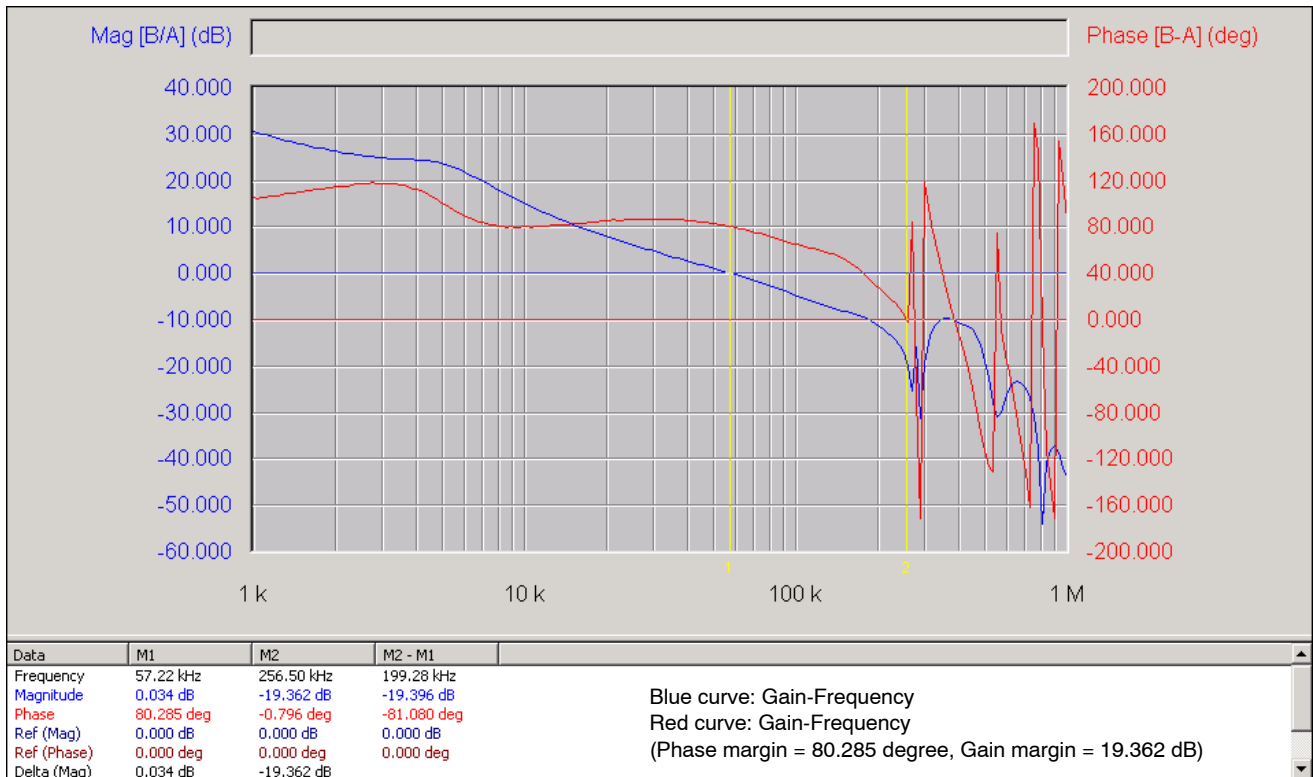
Choose C<sub>P1</sub> = 47 pF

The recommended compensation values are;

R2 = 10 kΩ, R3 = 10 kΩ, R4 = 665 Ω,

R<sub>C1</sub> = 12.1 kΩ, C<sub>C1</sub> = 33 nF, C<sub>P1</sub> = 47 pF,

C20 = 3.3 nF



**Figure 14. Closed-loop Voltage Loop-gain of the NCP1587G**

# NCP1587G

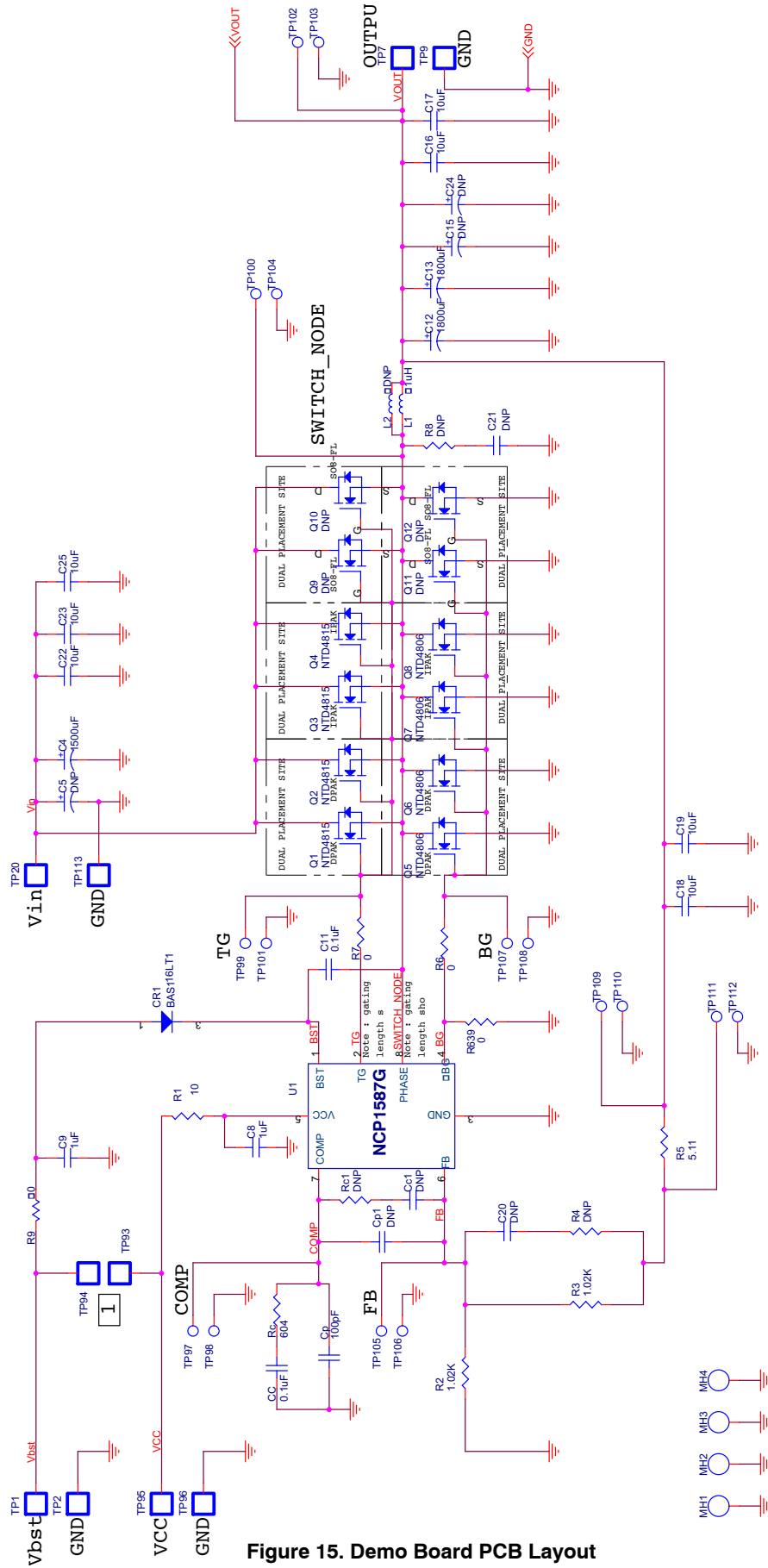


Figure 15. Demo Board PCB Layout

# NCP1587G

## Bill of Materials

Item Number	Part Reference	Value	Quantity	MFG
1	C4	1500 $\mu$ F	1	PANASONIC
2	C5	DNP	1	-
3	C8,C9	1 $\mu$ F	2	TAIYO YUDEN
4	C11	0.1 $\mu$ F	1	AVX
5	C12,C13	1800 $\mu$ F	2	PANASONIC
6	C15,C24	DNP	2	-
7	C16,C17,C18,C19,C22,C23,C25	10 $\mu$ F	7	PANASONIC
8	C20,CC1,CP1	DNP	3	-
9	C21	DNP	1	-
10	CC	0.1 $\mu$ F	1	TDK
11	CR1	BAS116LT1	1	ON SEMICONDUCTOR
12	CP	100 pF	1	PANASONIC
13	J9	20PIN 2ROW	1	MOLEX
14	J23	5PIN	1	PASTERNAK ENTERPRISES
15	L1	1 $\mu$ H	1	PANASONIC
16	L2	DNP	1	-
17	Q1,Q2	NTD4815	2	ON SEMICONDUCTOR
18	Q3,Q4	NTD4815	2	ON SEMICONDUCTOR
19	Q5,Q6	NTD4806	2	ON SEMICONDUCTOR
20	Q7,Q8	NTD4806	2	ON SEMICONDUCTOR
21	Q9,Q10,Q11,Q12	DNP	4	-
22	Q17,Q18,Q19,Q20,Q21,Q22,Q23,Q24,Q25,Q26,Q27,Q28,Q29,Q30,Q31,Q32,Q33,Q34,Q35,Q36,Q37,Q38,Q39,Q40	NTHS5404T1	24	ON SEMICONDUCTOR
23	R1	10	1	PANASONIC
24	R2,R3	1.02 K	2	DALE
25	R4,RC1	DNP	2	-
26	R5	5.11	1	DALE
27	R6,R7,R639	0	3	PANASONIC
28	R8	DNP	1	-
29	R9	0	1	DALE
30	R551,R552,R553,R569,R570,R571,R584,R585,R586,R599,R600,R601,R608,R609,R610,R617,R618,R619,R626,R627,R628,R635,R636,R637	100 K	24	DALE
31	R602,R603,R604,R605,R606,R607,R611,R612,R613,R614,R615,R616,R620,R621,R622,R623,R624,R625,R629,R630,R631,R632,R633,R634	0.56	24	PANASONIC
32	R638	49.9	1	DALE
33	RC	604	1	DALE
34	TP97,TP98,TP99,TP100,TP101,TP102,TP103,TP104,TP105,TP106,TP107,TP108,TP109,TP110,TP111,TP112	TP	16	KEYSTONE
35	U1	NCP1587G	1	ON SEMICONDUCTOR

# NCP1587G

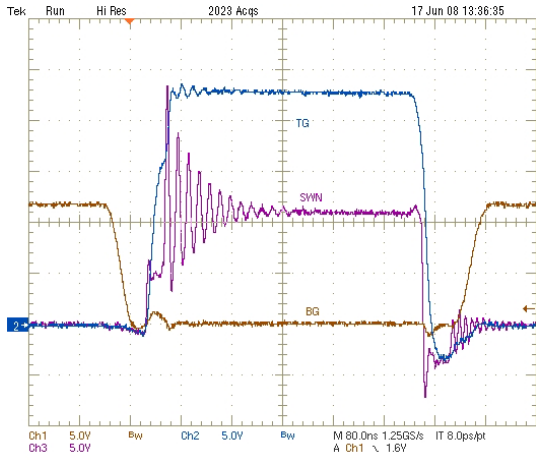


Figure 16. Gate Waveforms 20 A Load Sustaining

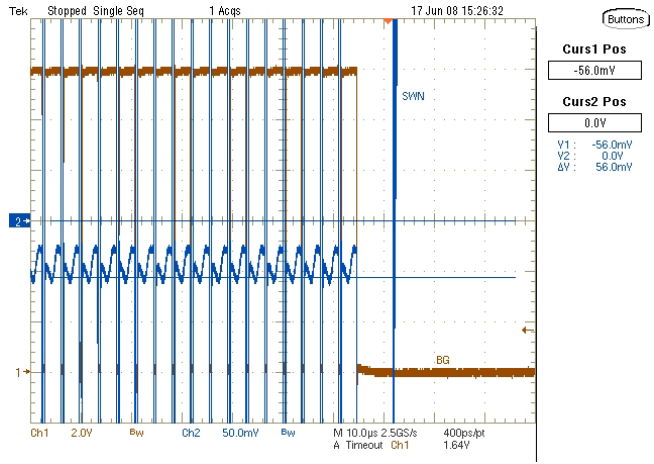


Figure 17. Over Current Protection (12.4 A DC Trip)

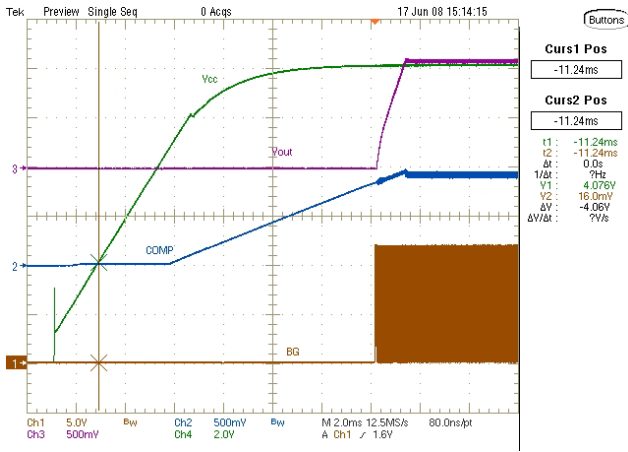


Figure 18. Start-up Sequence

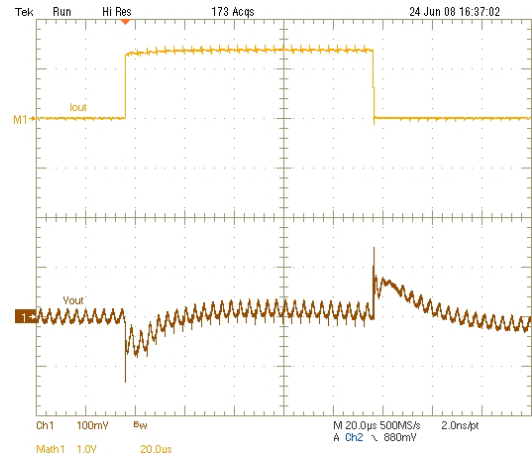


Figure 19. Transient Response 0-10 A Load Step

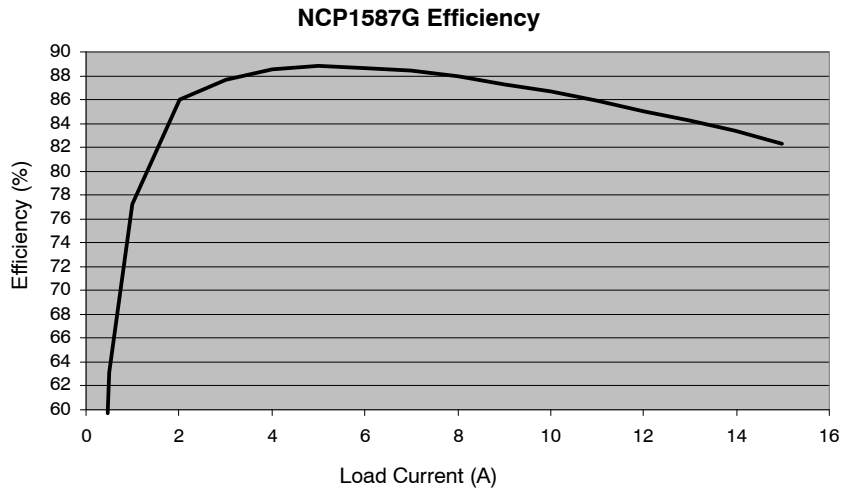
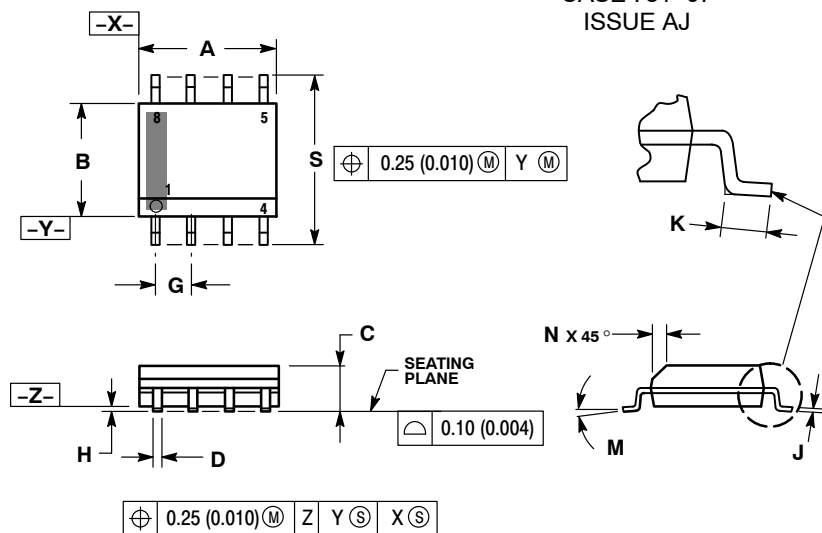


Figure 20. Efficiency vs. Load Current

# NCP1587G

## PACKAGE DIMENSIONS

### SOIC-8 D SUFFIX CASE 751-07 ISSUE AJ

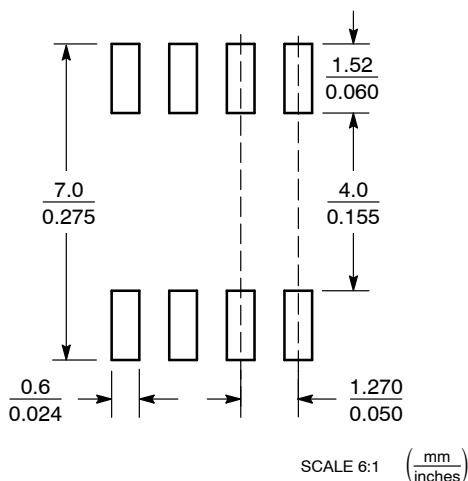


#### NOTES:

1. DIMENSIONING AND TOLERANCING PER ANSI Y14.5M, 1982.
2. CONTROLLING DIMENSION: MILLIMETER.
3. DIMENSION A AND B DO NOT INCLUDE MOLD PROTRUSION.
4. MAXIMUM MOLD PROTRUSION 0.15 (0.006) PER SIDE.
5. DIMENSION D DOES NOT INCLUDE DAMBAR PROTRUSION. ALLOWABLE DAMBAR PROTRUSION SHALL BE 0.127 (0.005) TOTAL IN EXCESS OF THE D DIMENSION AT MAXIMUM MATERIAL CONDITION.
6. 751-01 THRU 751-06 ARE OBSOLETE. NEW STANDARD IS 751-07.

DIM	MILLIMETERS		INCHES	
	MIN	MAX	MIN	MAX
A	4.80	5.00	0.189	0.197
B	3.80	4.00	0.150	0.157
C	1.35	1.75	0.053	0.069
D	0.33	0.51	0.013	0.020
G	1.27 BSC		0.050 BSC	
H	0.10	0.25	0.004	0.010
J	0.19	0.25	0.007	0.010
K	0.40	1.27	0.016	0.050
M	0°	8°	0°	8°
N	0.25	0.50	0.010	0.020
S	5.80	6.20	0.228	0.244

### SOLDERING FOOTPRINT\*



\*For additional information on our Pb-Free strategy and soldering details, please download the ON Semiconductor Soldering and Mounting Techniques Reference Manual, SOLDERRM/D.

ON Semiconductor and are registered trademarks of Semiconductor Components Industries, LLC (SCILLC). SCILLC owns the rights to a number of patents, trademarks, copyrights, trade secrets, and other intellectual property. A listing of SCILLC's product/patent coverage may be accessed at [www.onsemi.com/site/pdf/Patent-Marking.pdf](http://www.onsemi.com/site/pdf/Patent-Marking.pdf). SCILLC reserves the right to make changes without further notice to any products herein. SCILLC makes no warranty, representation or guarantee regarding the suitability of its products for any particular purpose, nor does SCILLC assume any liability arising out of the application or use of any product or circuit, and specifically disclaims any and all liability, including without limitation special, consequential or incidental damages. "Typical" parameters which may be provided in SCILLC data sheets and/or specifications can and do vary in different applications and actual performance may vary over time. All operating parameters, including "Typicals" must be validated for each customer application by customer's technical experts. SCILLC does not convey any license under its patent rights nor the rights of others. SCILLC products are not designed, intended, or authorized for use as components in systems intended for surgical implant into the body, or other applications intended to support or sustain life, or for any other application in which the failure of the SCILLC product could create a situation where personal injury or death may occur. Should Buyer purchase or use SCILLC products for any such unintended or unauthorized application, Buyer shall indemnify and hold SCILLC and its officers, employees, subsidiaries, affiliates, and distributors harmless against all claims, costs, damages, and expenses, and reasonable attorney fees arising out of, directly or indirectly, any claim of personal injury or death associated with such unintended or unauthorized use, even if such claim alleges that SCILLC was negligent regarding the design or manufacture of the part. SCILLC is an Equal Opportunity/Affirmative Action Employer. This literature is subject to all applicable copyright laws and is not for resale in any manner.

### PUBLICATION ORDERING INFORMATION

**LITERATURE FULFILLMENT:**  
Literature Distribution Center for ON Semiconductor  
P.O. Box 5163, Denver, Colorado 80217 USA  
Phone: 303-675-2175 or 800-344-3860 Toll Free USA/Canada  
Fax: 303-675-2176 or 800-344-3867 Toll Free USA/Canada  
Email: [orderlit@onsemi.com](mailto:orderlit@onsemi.com)

**N. American Technical Support:** 800-282-9855 Toll Free  
USA/Canada  
**Europe, Middle East and Africa Technical Support:**  
Phone: 421 33 790 2910  
**Japan Customer Focus Center**  
Phone: 81-3-5817-1050

**ON Semiconductor Website:** [www.onsemi.com](http://www.onsemi.com)  
**Order Literature:** <http://www.onsemi.com/orderlit>

For additional information, please contact your local Sales Representative